

MANUAL WALL SCREEN SLOW RETRACTION

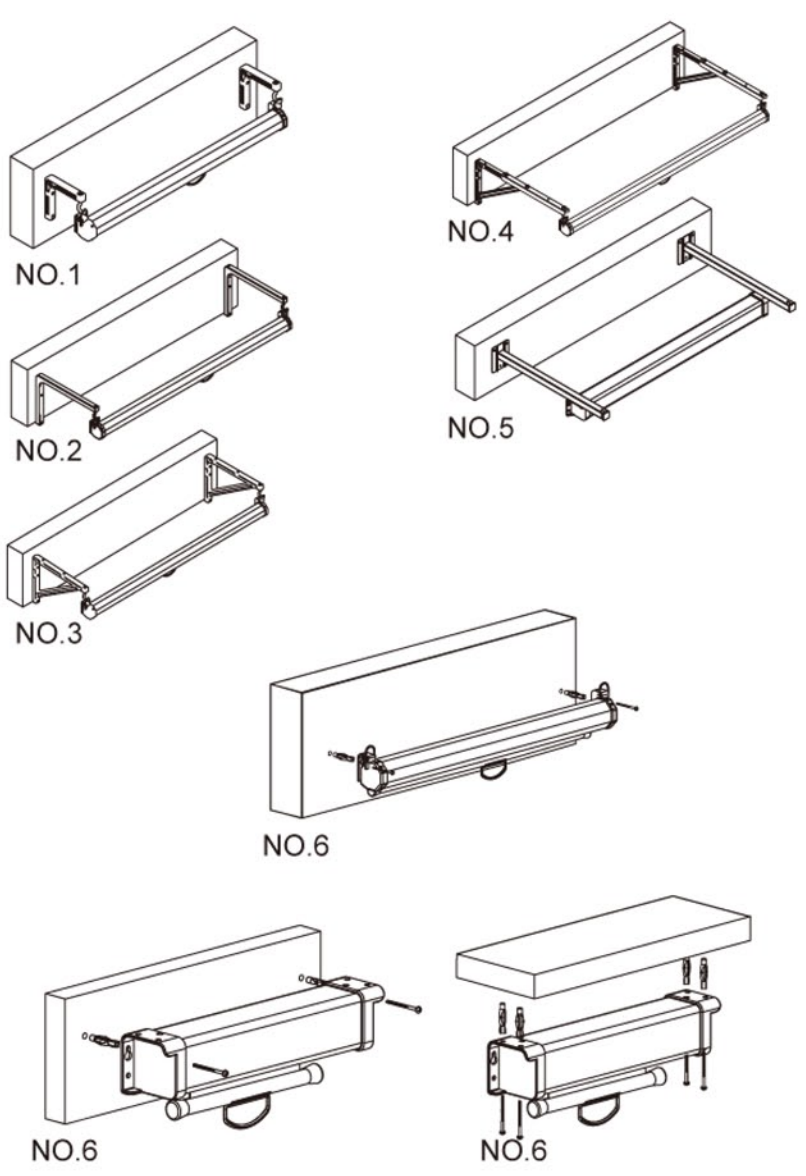
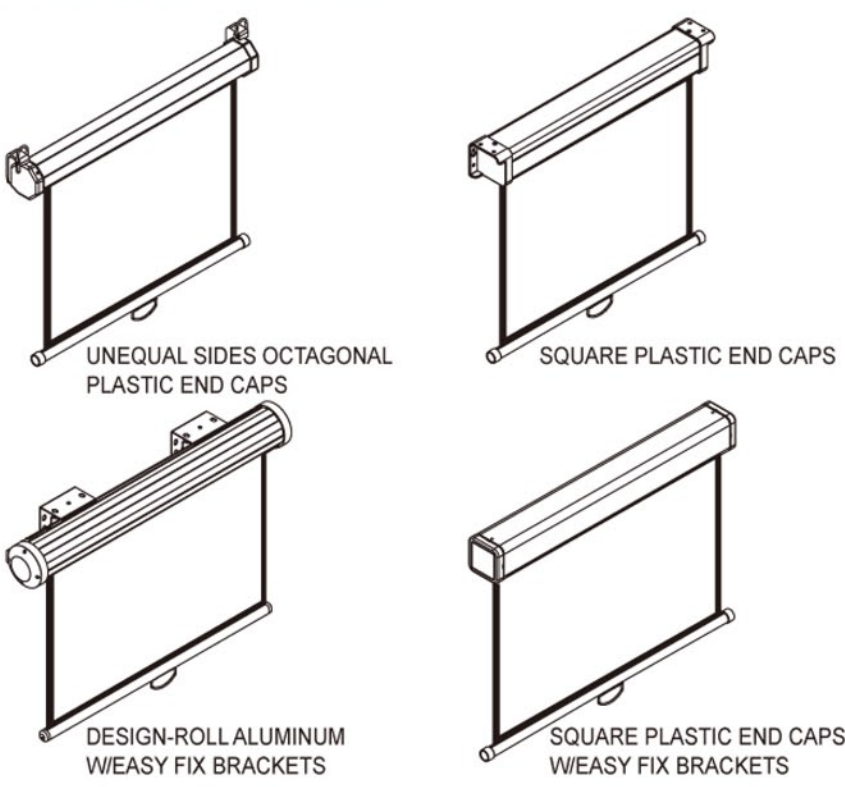
UNIQUE SELF-LOCKING DEVICE
GOOD MANUAL SCREEN OPERATION
ELEGANT DAMPENING DEVICE
WELL-PROPORTIONED SLOW RETRACTION.

THANK YOU FOR SELECTING OUR PROJECTION SCREEN.
PLEASE READ THE MANUAL BEFORE INSTALLATION.

NO.1 NO.2

Thank you for selecting our screen.
Please read information to ensure correct usage and installation.
Note: Installation should be performed by qualified technician.

THE SHAPE OF WALL SCREEN.

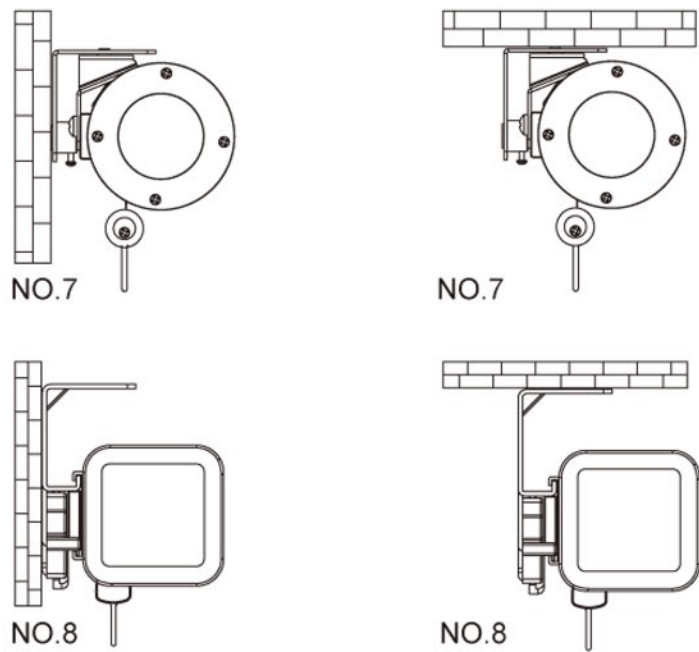


WALL MOUNT SCREEN INSTALLMENT

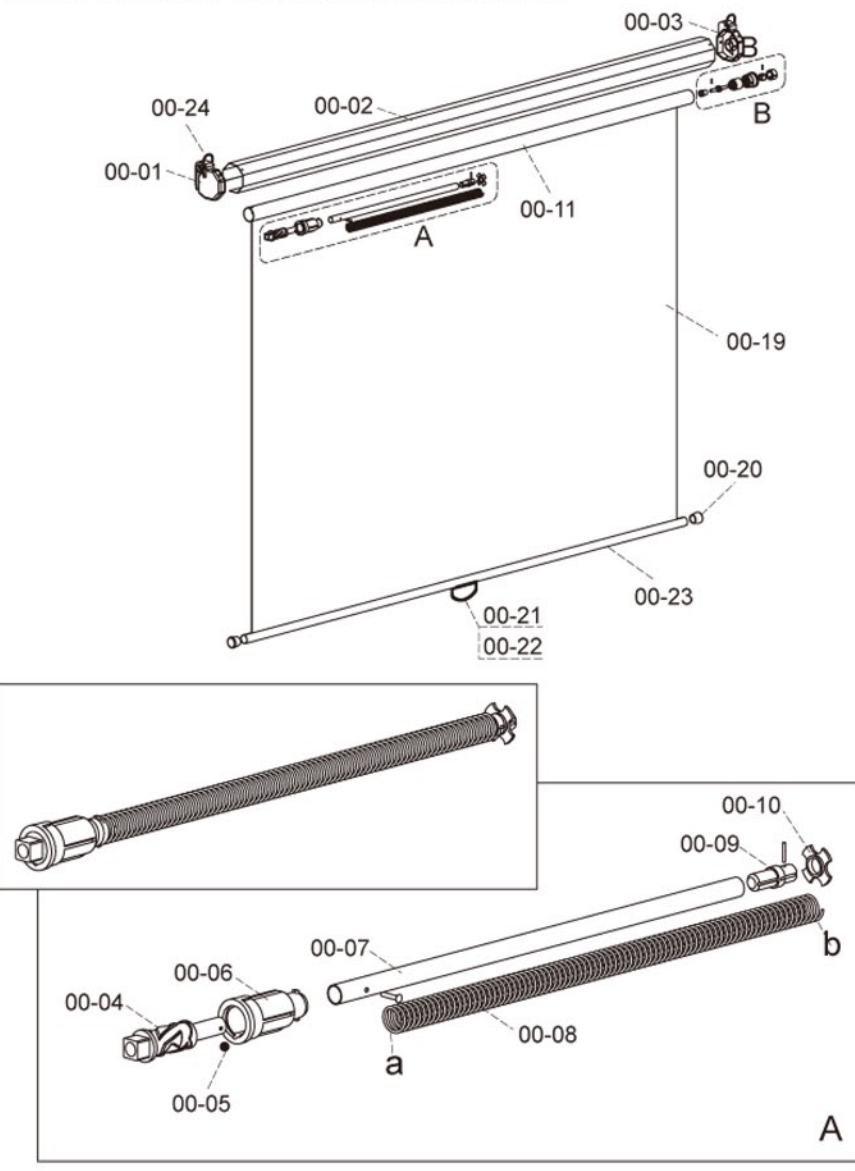
- Unpack screen carefully. Check for any damage.
- Check to be sure all accessories are in carton.
- Adopt the appropriate method hanging the screen on the wall or the suspension hook firmly.
(The suspension part is spare part on option)

NO.3 NO.4

Install using Easy Fix brackets to wall or ceiling in required position. Fix brackets to wall joist.

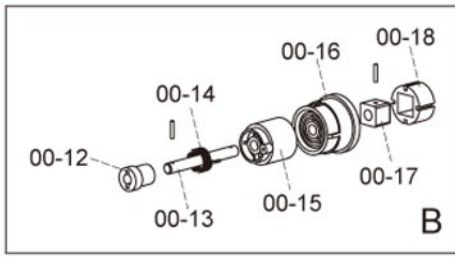


SPARE PARTS LIST FOR WALL SCREEN



Screen is for indoor use, under normal temperature (20°C) and humidity.
Avoid: Direct sunlight
High temperature and humidity
Install in area that is clear of product interference.
Avoid air currents from air conditioner, furnace, open doors or windows.

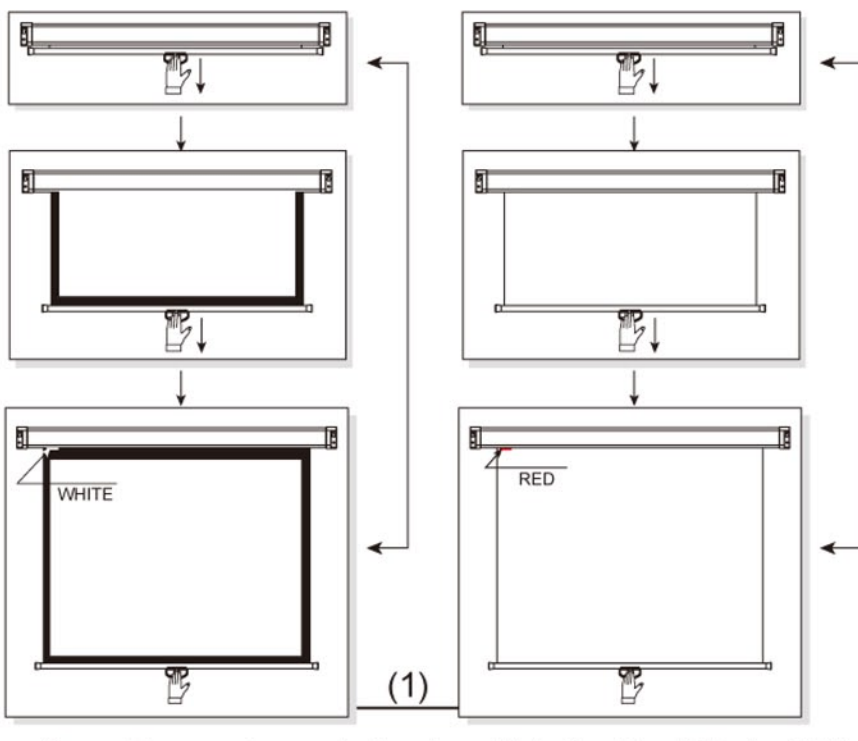
NO.5 NO.6



00-01 LEFT END CAP	00-13 LATCH
00-02 SCREEN HOUSING	00-14 SPRING
00-03 RIGHT END CAP	00-15 DAMPELING ROLLER
00-04 LOCK HEAD	00-16 DAMPELING HOLDER
00-05 STEEL BALL	00-17 MORTISE
00-06 LOCK HEAD COVER	00-18 TENON
00-07 TUBE	00-19 FABRIC
00-08 SPRING	00-20 RUBBER END CAP
00-09 STOP BAR	00-21 LOOP COVER
00-10 COVER	00-22 LOOP
00-11 ROLLER	00-23 PULL BAR
00-12 SLEEVE	00-24 RING

OPERATING INSTRUCTION

Pull down the screen with the loop(00-22). To the right position, stop for one second, then release the loop.
If the screen is not used for a long time, hold the loop, pull down SLIGHTLY then release it IMMEDIATELY, the screen will go back to the case.



NOTE OF SPEED

- Temperature determines the resistance of the dampening oil. With high temperature, the retraction speed will quicker than normal one; with low temperature, the retraction speed will slower than normal one.
- For long time no use of the screen, the resistance of the dampening oil will increase, the retraction speed will lower than normal speed.
- For long time using (more than 1 year), the resistance of dampening oil will decrease, so the retraction speed will quicker than normal speed, but it do not impair the operation.

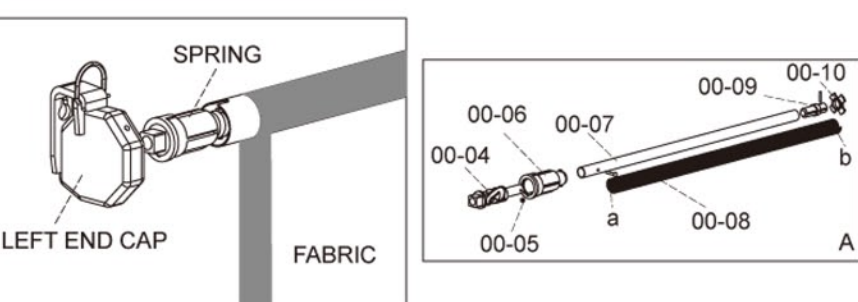
NO.7 NO.8

In a short period of frequently used the screen, the resistance of the dampening oil will decrease with the heat condition which engendered by the continual operation, so the retraction speed will quicker than normal one. After a short period of stop operating, the temperature back to normal condition, the retraction speed back to normal one.

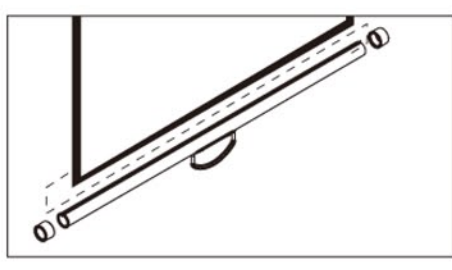
PROBLEM AND SOLUTION

The screen may have following several problems after long time frequent use.

- If ONLY THE LATER PART of the screen surface could not retract.
solution:
 - Pull down the whole screen fabric and retract it for several times, the screen surface could fully retract to casing.
 - Add the loop of the screen: Loose the screws of the left end cap, put out left end cap slightly, make sure it still connected with the lock head, rotate the spring one or two more turns in clockwise. Then put back the end cap and fasten the screws.
 - If THE WHOLE screen surface could not retract.
Solution: reinstall:
 - Unscrew the three screws of the left end cap and remove.
 - Put the left end cap in the lock head and rotate the spring in clockwise according to the following table.
 - Then put back the left end cap and fasten the screws.
- | | |
|-------------|-------|
| Screen size | turns |
| 1.27-1.53 | 7-8 |
| 1.53-1.80 | 8-10 |
| 1.8-2.03 | 10-12 |
| 2.03-2.44 | 14-16 |



- When assembly this part, please pay ATTENTION to:
 - Screw End a of Spring(00-08) to the bottom of lock head cover(00-06), to prevent any loose between them.
 - Insert end b of Spring(00-08) into the slot of the stop bar(00-09), then put the cover(00-10) Lock head tube(00-04) and stop bar(00-09) have already been assembled at factory.
- Damage of pull loop or pull bar
 - Remove the pull loop or pull bar
 - change the new one .make sure the flatness, draw out the pull bar before insert the rubber end cap. Pull the tapes to each side may help you to get the flat surface.



- Screen surface could not move totally or dropped
 - Check if the spring is not well connected with the lock head cover. Reassemble it. Please refer to the ATTENTION.
 - Check if the lock head damaged, change it

