

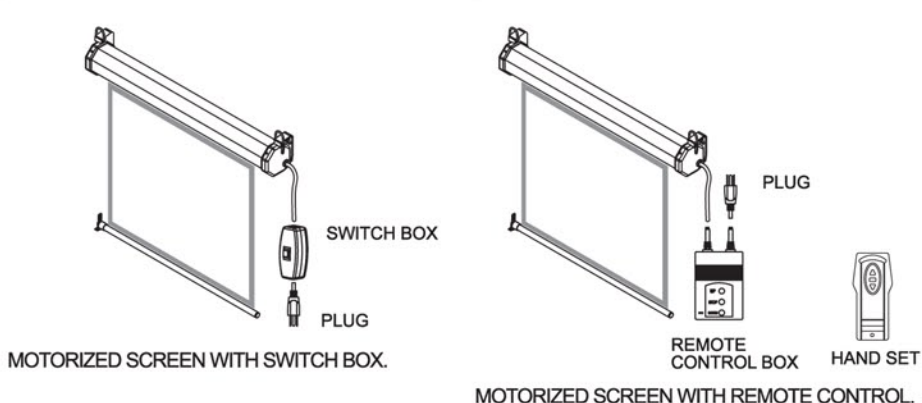
THANK YOU FOR CHOOSING OUR PROJECTION SCREEN.
PLEASE READ THE MANUAL BEFORE USING.

NO.1

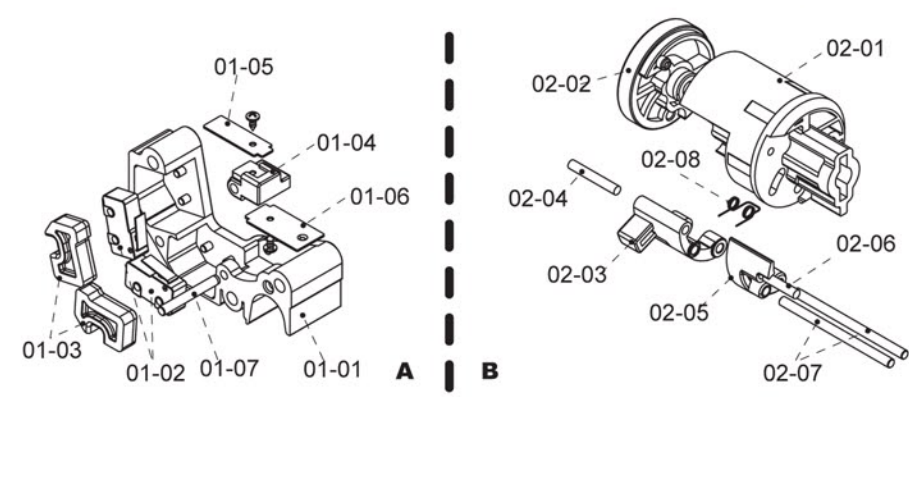
Thank you for choosing our screen.
Read this manual carefully to ensure proper usage, you may also find the solution if you have problems.

IMPORTANT ATTENTION the installation of the screen, the electric connections, the setting of the limit switches, must be made from trained engineer only.

THE SHAPE OF SCREEN



SPARE PARTS LIST FOR MOTORIZED SCREEN

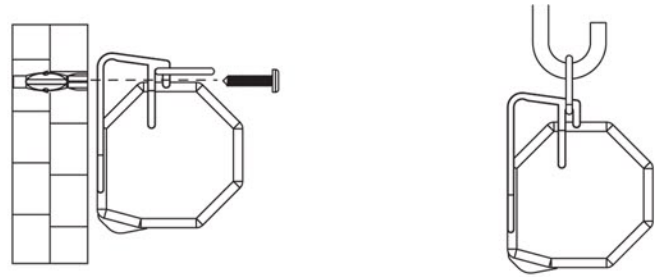


00-01	LEFT END CAP	01-01	MICRO SWITCH
00-02	SCREEN HOUSING	01-02	LIMIT SWITCH
00-03	RIGHT END CAP	01-03	MICRO SWITCH COVER
00-04	BEARING	01-04	CONTACT CHIP SETTING
00-05	ROLLER END CAP	01-05	CONTACT CHIP 1
00-06	ROLLER	01-06	CONTACT CHIP 2
00-07	MOTOR HOLDER	01-07	LOCATING SHAFT OF CONTACT CHIP
00-08	SYNCHRONOUS MOTOR		
00-09	LATCH	02-01	ROLLER ROTOR
00-10	CONNECTION	02-02	ENDCAP
00-11	ABSORBER COVER	02-03	SWING ARM 2
00-12	SCREEN FABRIC	02-04	SOLID AXLE 2
00-13	PULL BAR	02-05	SWING ARM 1
00-14	RUBBER END CAP	02-06	SOLID AXLE 1
00-15	SLAT BAR BLOCK	02-07	SWING ARM AXES
00-16	LOCK PIECE	02-08	TORSIONAL SPRING
00-17	ADJUSTMENT COVER		
00-18	RING		
00-19	CORD FASTENER		

NO.3

INSTALLATION INSTRUCTION

- Unpack the screen carefully, be sure the screen is in good condition, check all the accessories are packed inside the carton.
- Check the voltage and frequency marked on the screen is in accordance with the local power supply. It is suggested only to use the screens indoor under normal temperature and humidity.
- Refer the fig below to fix the screen to the wall or to the ceiling.



VOLTAGE AND FREQUENCY

Choose the voltage according to the local requirement: 110V/60Hz or 220V/50Hz.

INSTALLATION NOTE

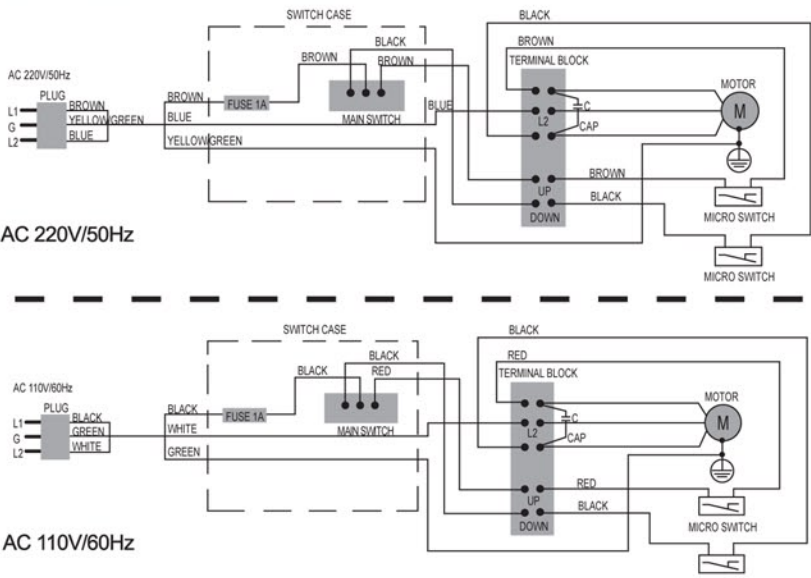
- Must be installed from direct sunlight.
- Proper ventilation place.
- Proper dampness.
- Clear place.
- Avoid violent jarring.
- Avoid the direct air current from air-condition, heater etc. Do not expose the screen in the High or Low temperature condition.

NO.5

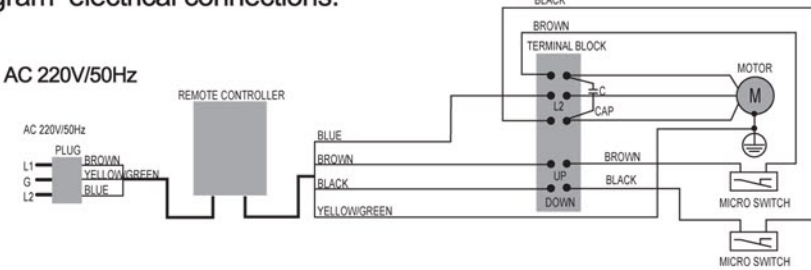
- If remote control does not work well, please check the battery and replace new one.

ELECTRIC CONNECTION

If your motorized screen with switch control, please refer the below diagram electrical connections.

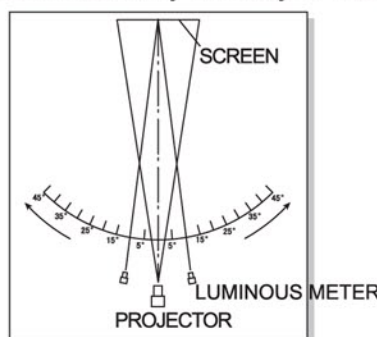


If your motorized screen with remote control, please refer the below diagram electrical connections.

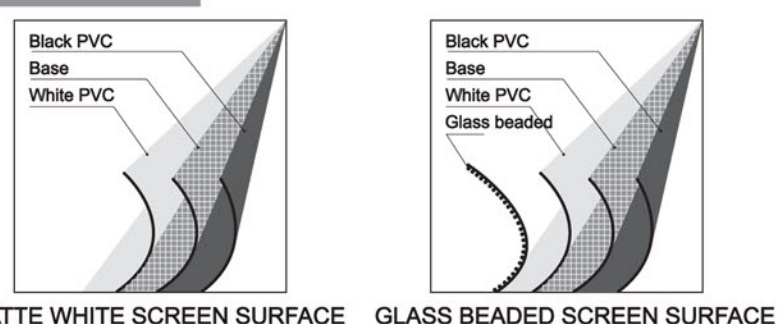


NO.7

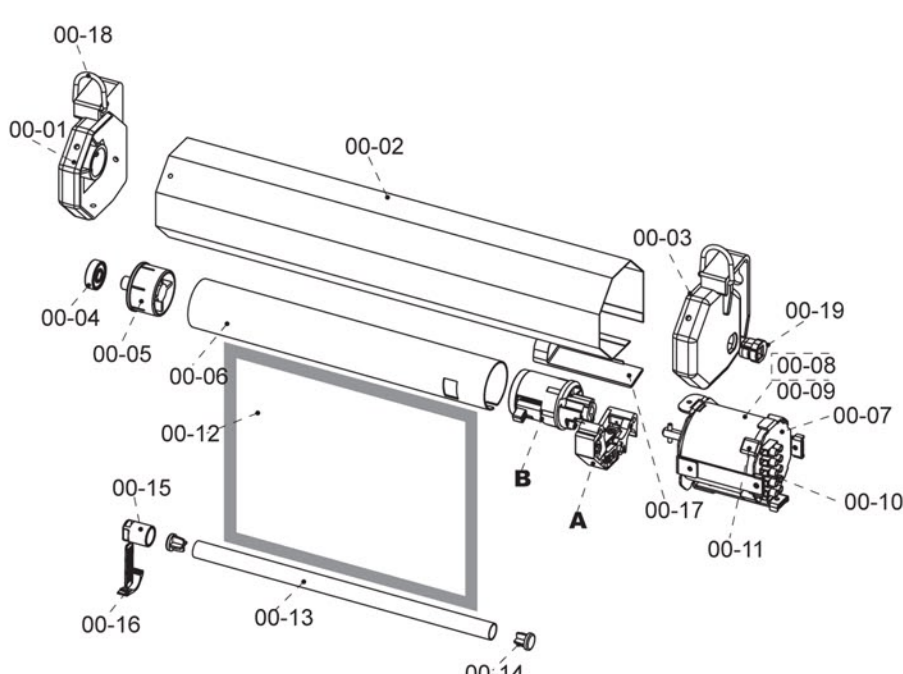
- Viewing Angle Measurement: refer the fig below
Standard: JB/T8389 issued by Ministry of Machinery Industry



SCREEN FABRIC



NO.2



00-01	LEFT END CAP	01-01	MICRO SWITCH
00-02	SCREEN HOUSING	01-02	LIMIT SWITCH
00-03	RIGHT END CAP	01-03	MICRO SWITCH COVER
00-04	BEARING	01-04	CONTACT CHIP SETTING
00-05	ROLLER END CAP	01-05	CONTACT CHIP 1
00-06	ROLLER	01-06	CONTACT CHIP 2
00-07	MOTOR HOLDER	01-07	LOCATING SHAFT OF CONTACT CHIP
00-08	SYNCHRONOUS MOTOR		
00-09	LATCH	02-01	ROLLER ROTOR
00-10	CONNECTION	02-02	ENDCAP
00-11	ABSORBER COVER	02-03	SWING ARM 2
00-12	SCREEN FABRIC	02-04	SOLID AXLE 2
00-13	PULL BAR	02-05	SWING ARM 1
00-14	RUBBER END CAP	02-06	SOLID AXLE 1
00-15	SLAT BAR BLOCK	02-07	SWING ARM AXES
00-16	LOCK PIECE	02-08	TORSIONAL SPRING
00-17	ADJUSTMENT COVER		
00-18	RING		
00-19	CORD FASTENER		

NO.4

OPERATION INSTRUCTION

- Please take the block off before your use.
- Plug in the power supply. Press the down button of the switch box or the hand set, the screen will go down smoothly. Press the stop button when the screen goes down to the expected position, otherwise the screen will stop at the lower limited position automatically.
- Screen stop, but the screen size do not meet the right black borders, pull down the middle part of the slat bar smoothly and slowly.
- Press the up button of the switch or the hand set, the screen will go up smoothly. Press the stop button when the screen goes up to the expected position, otherwise the screen will roll back to the housing.

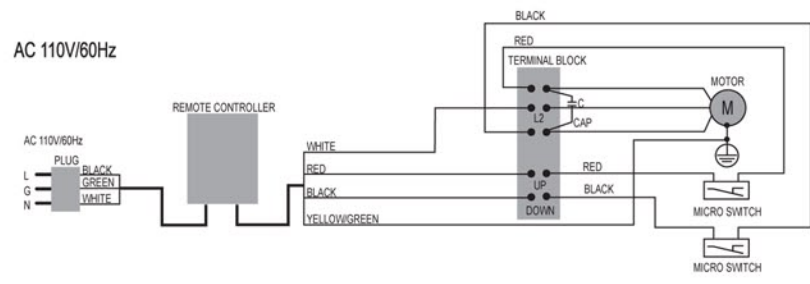
THE ATTENTION

- It's no good for over-operating screen which will break the useful life of screen.
- Do not pull the control wires which avoid disconnection and dangers.
- Keep the good connection of plug and power.
- Cut off the power supply when the screen won't be used for long time.

TROUBLE SHOOT

- Always call qualified engineer for maintenance to avoid dangers. Always unplug the power supply first before disassemble the screen.
- Check power whether or not is provided.
- Check the fuse whether or not is broken.
- Check wire connection

NO.6



TECHNICAL DATA FOR FABRIC

- Matte White Screen
Gain: 0.9
Viewing Angle: >160°
High color rendering, high resolution.
- Glass Beaded Screen
Gain: 2.2
Viewing Angle: >30°
High color rendering, high resolution.

HOW TO MEASURE THE TECHNICAL DATA OF REFLEX SCREEN

