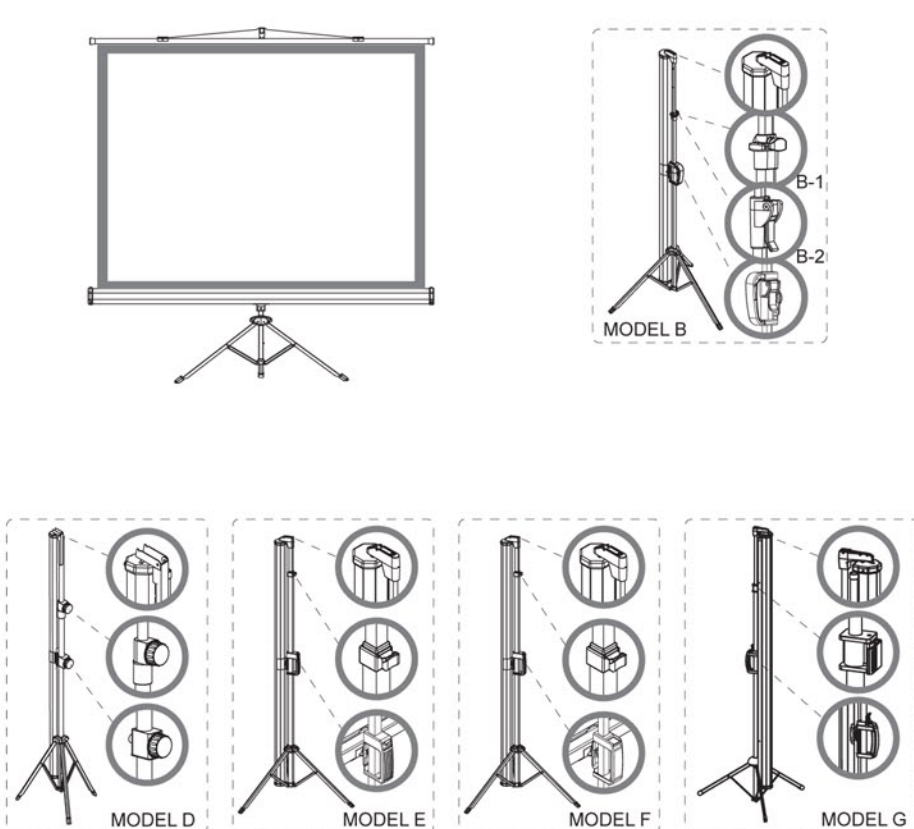


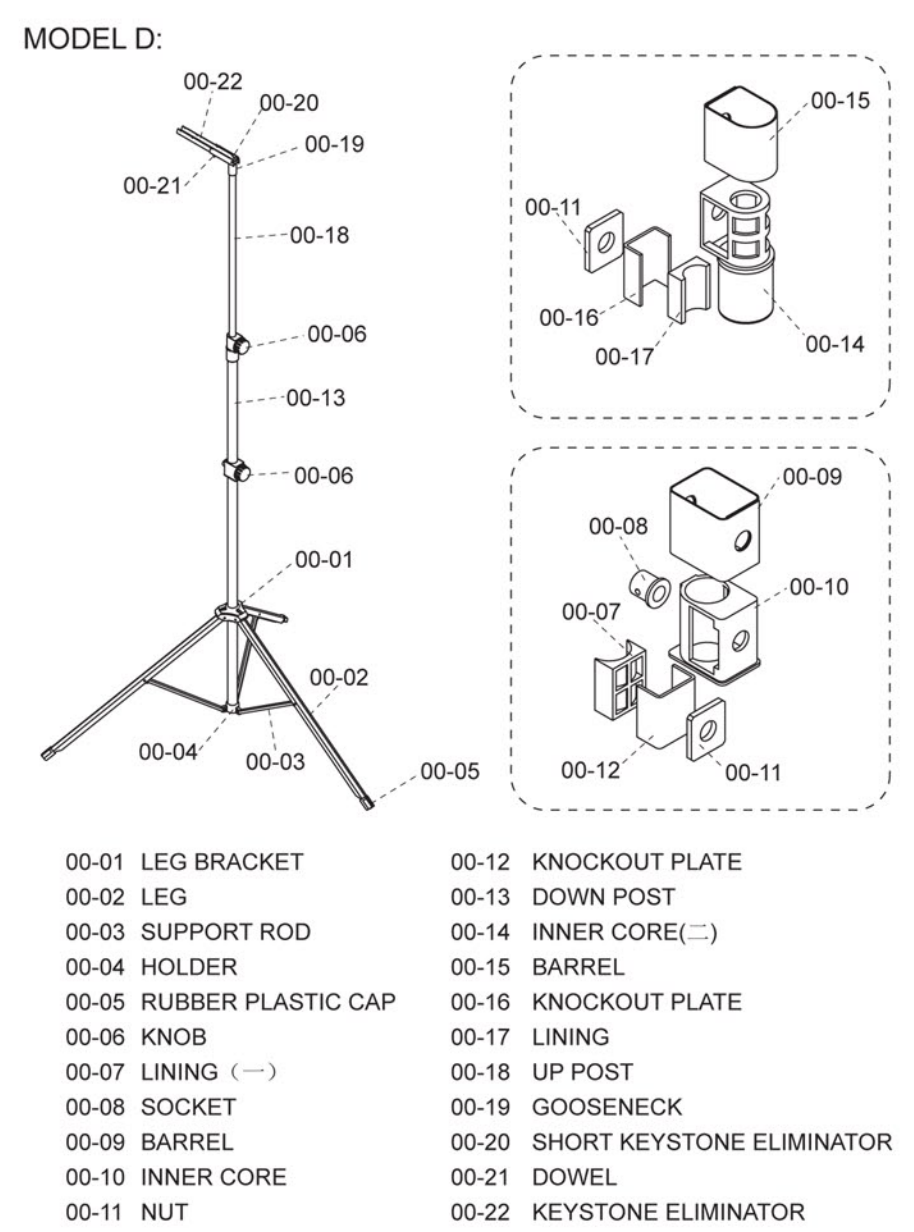
THANK YOU FOR CHOOSING OUR PROJECTION SCREEN. PLEASE READ THE MANUAL BEFORE USING.

NO.1

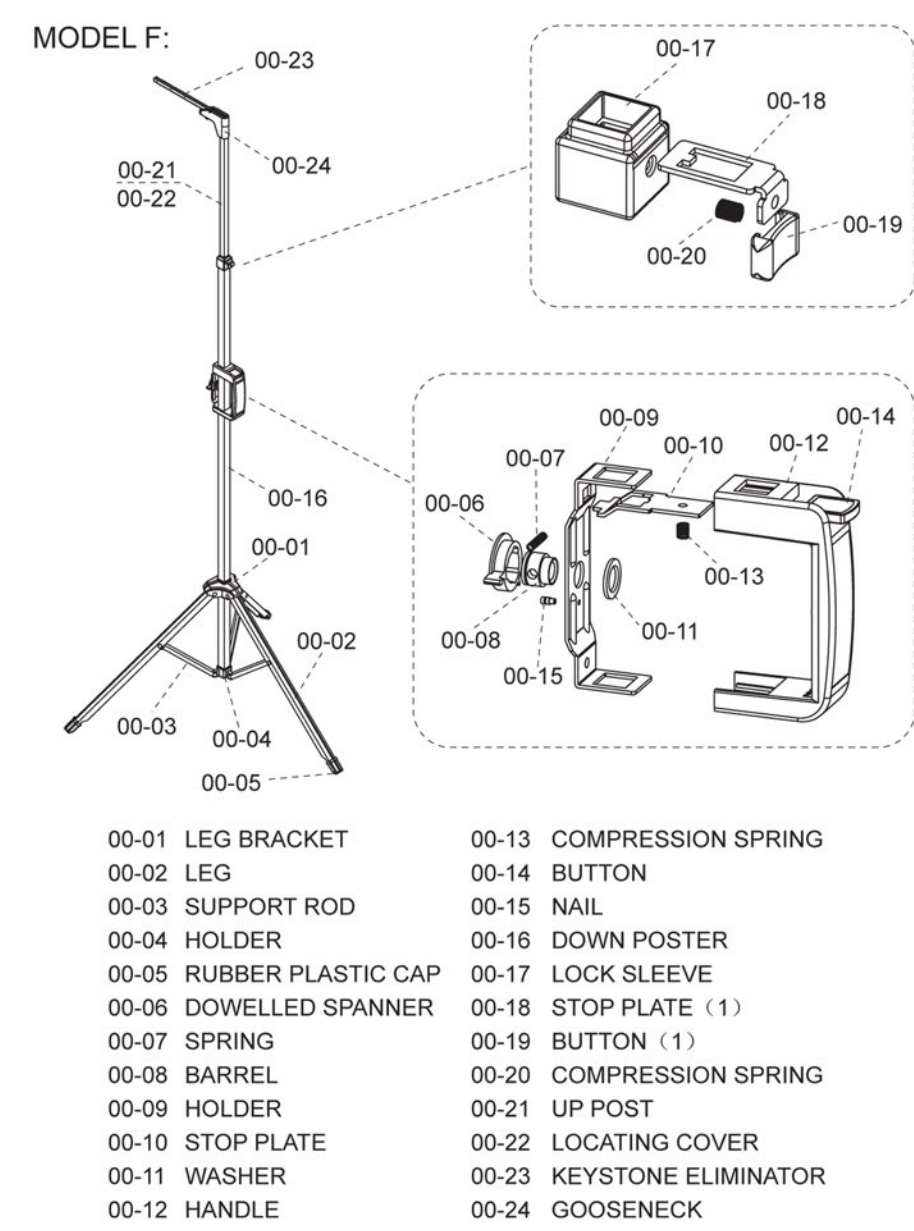
- Thank you for choosing our screen.
- Please read the manual carefully to ensure correct usage and installation
- There are five models of tripod screen: model B, D, E, F, G



NO.3



NO.5

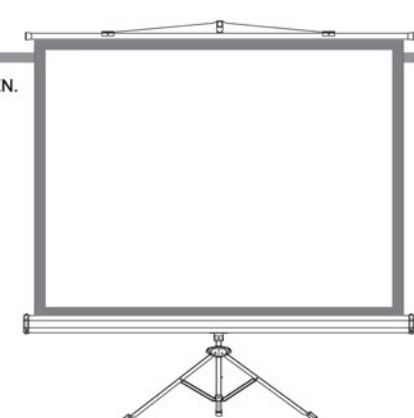


NO.7

The operation is flexible and the height of screen can be adjusted as needed by using unique tripod connection and lock devices, the screen can be put in any location and used for many times. The screen is widely used in the meeting rooms, schools, business presentation.

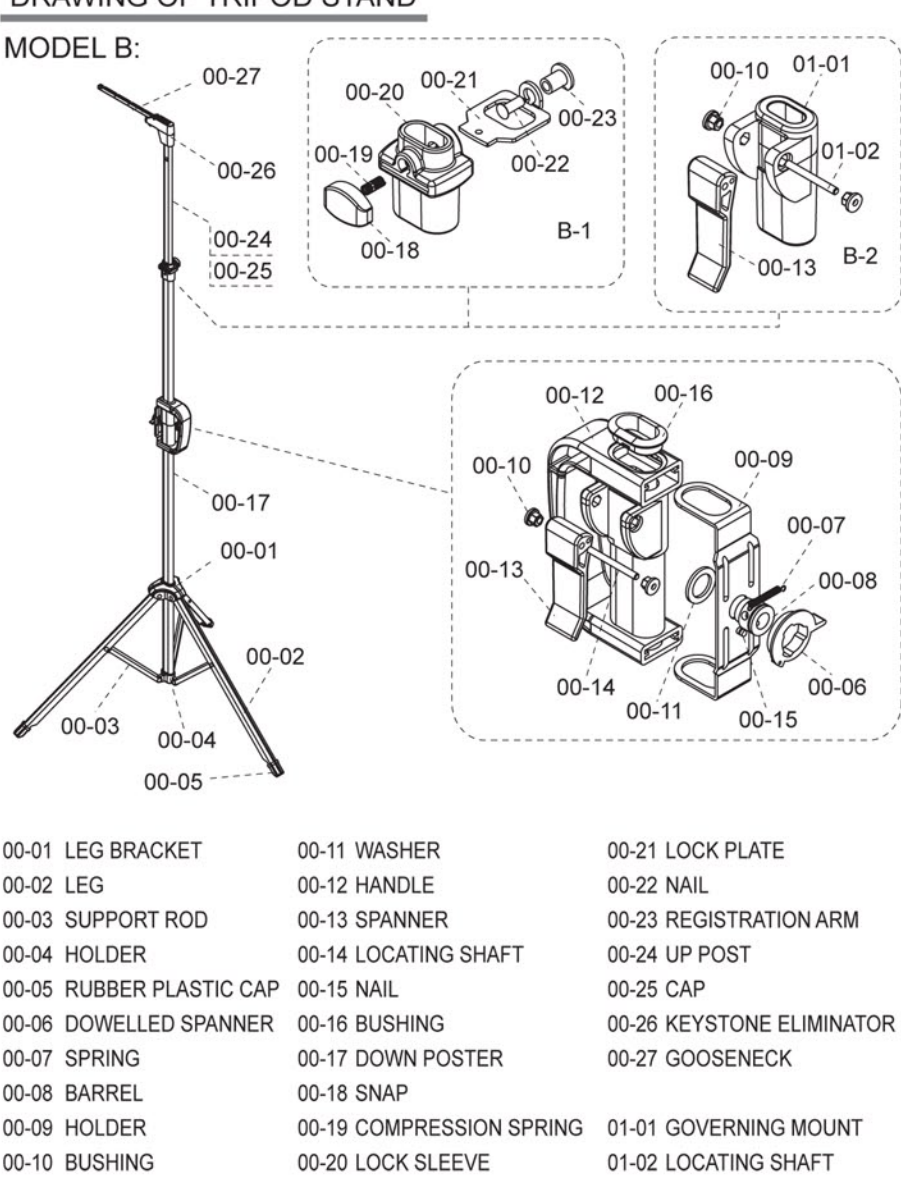
THE OPERATION OF TRIPOD SCREEN

- Open the three legs, put on stand on the level floor.
- Rotate the keystone of 90 degree of stand (model, B\ E\ F) or 270 degree of model D.
- Connect the screen and stand by the following drawing.

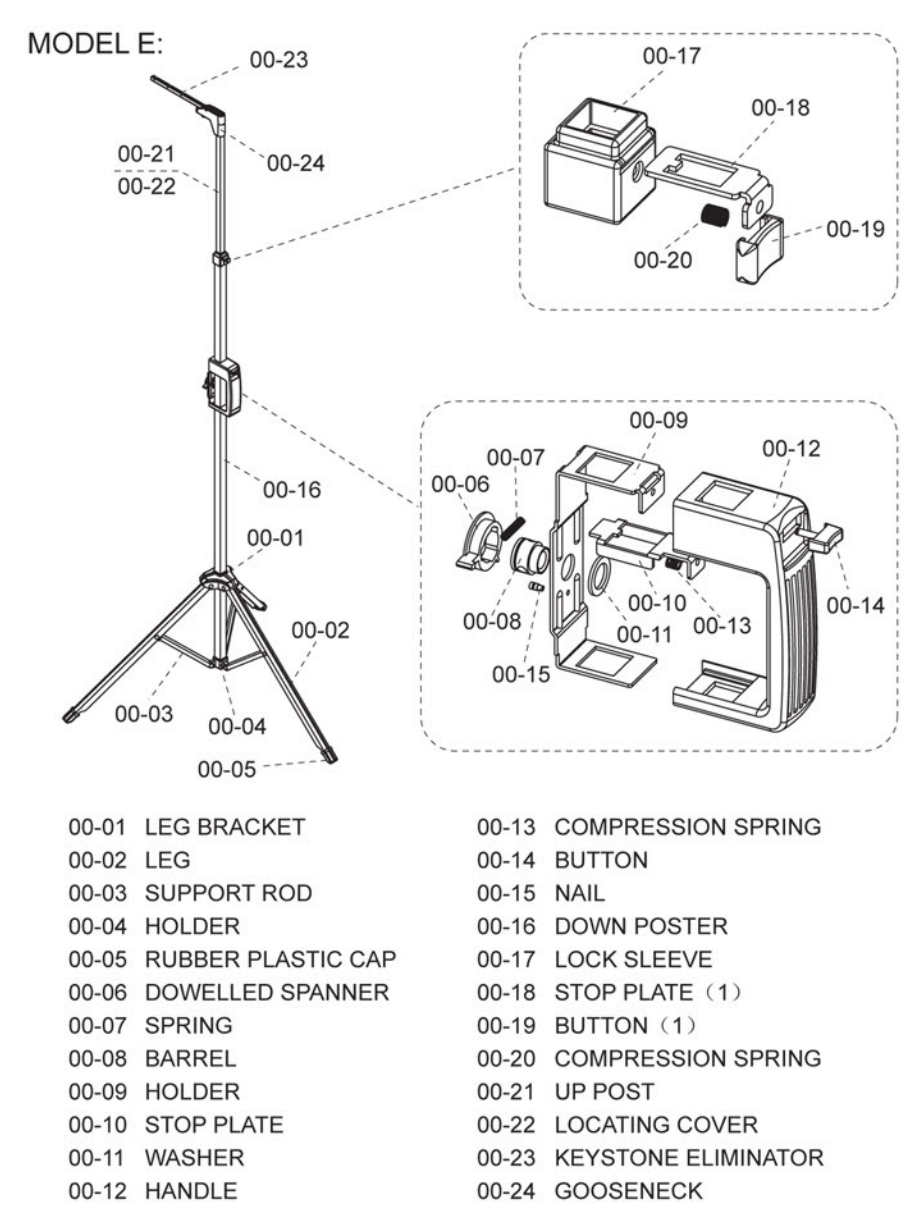


NO.2

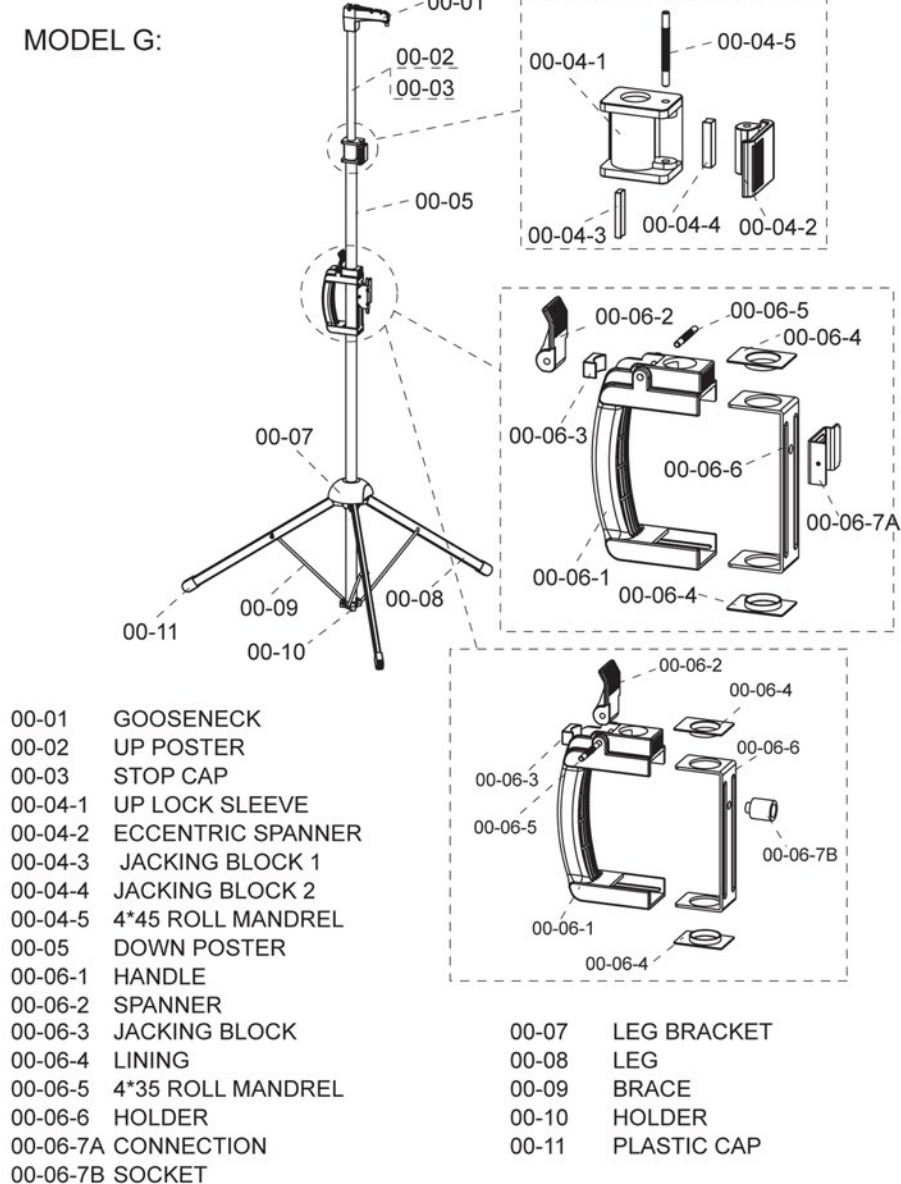
DRAWING OF TRIPOD STAND



NO.4



NO.6



NO.8

- Hang the screen on the keystone eliminator or gooseneck.
- Refer the following diagram, release the top locking device, lift the up poster for adjusting the right height, lock the top locking device.
- Refer the diagram, release the handle locking device, pull down the handle, when the black borders out, lock the handle locking device.
- Retract the screen fabric into the case, rotate the 90 degree of the screen, refer the following diagram, lock the tripod stand and screen.

