

## HON-BIOEM-3000WK/ HON-BIOMI-3000WK

### Your Best Choice For Outdoor Fingerprint Access Control

HON-BIOEM-3000WK/HON-BIOMI-3000WK is an Ethernet connection-based fingerprint terminals, used for fingerprint access control with IP65 waterproof housing.

With its IP65 rated rugged waterproof and dustproof structure, HON-BIOEM-3000WK/HON-BIOMI-3000WK offers extra durability in harsh conditions such as outdoor environments. It is specially designed for Access Control applications such as SME, office, retail shop, factories and others.



#### Rugged Structure for Outdoor Installation and Extra Durability

- IP65 rated waterproof and dustproof structure



#### Slim and Elegant Design

- One of the world's smallest fingerprint terminals
- Sleek and slim design for narrow spaces



#### Fast and Accurate Fingerprint Algorithm

- 1 touch a-second user recognition



#### Easy Installation and Connectivity

- Wiegand output
- Network interface by TCP/IP



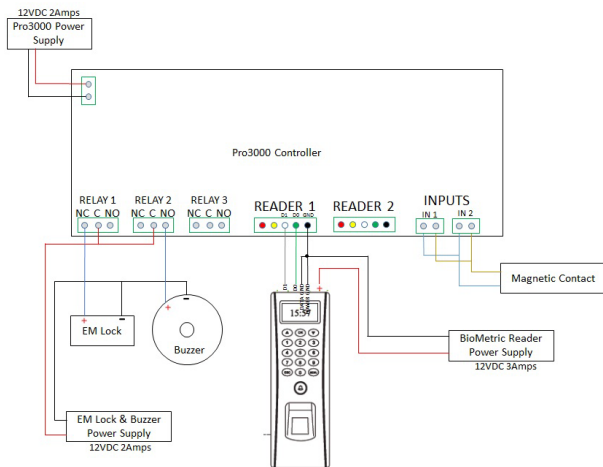
#### Easy Operation and Management

- Work without computer
- OLED, buzzer, 3x5 keypads
- Built-in keypad and RF card reader for multi-modal authentication (Fingerprint/PIN/Card)

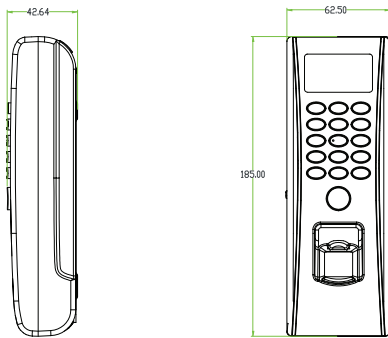
## SPECIFICATIONS:

FINGERPRINT SENSOR	Infrared detection fingerprint sensor
SUPPORTED ENROLLMENT SOFTWARE	EASYACCESS3.5
COMMUNICATION	TCP/IP, USB Host
FINGERPRINT CAPACITY	3,000 Fingerprints
CARD CAPACITY	10,000 Cards
LOG CAPACITY	50,000 Transactions
AUTHENTICATION	Finger/PIN/Card
WIEGAND SIGNAL	Wiegand output
INGRESS PROTECTION RATE	IP65
DISPLAY	128 x 64 OLED
KEYPAD	3 x 5 keypads & doorbell
SOUND AND INTERFACE	Buzzer and multi-color LED
OPERATING VOLTAGE	12VDC 3A
OPERATING TEMPERATURE	-10 °C~50 °C (14°F ~ 122°F)
DIMENSION	62.5mm×185mm×41.5mm (W×H×D)

# CONFIGURATION



# DIMENSIONS (MM)



# ORDERING INFORMATION

Part Code	Description
HON-BIOEM-3000WK	Honeywell Bio Access with EM & Keypad
HON-BIOMI-3000WK	Honeywell Bio Access with MI & Keypad

### For more information

HBT-IndiaBuildings@Honeywell.com

### Honeywell HBT India Buildings

Unitech Trade Centre, 5th Floor, Sector – 43  
 Block C, Sushant Lok Phase – 1  
 Gurgaon – 122002, Haryana, India  
 Tel: +91 124 4975000  
 www.honeywell.com



HDCS DS | Rev01 | 10/17  
 © 2017 Honeywell International Inc.

